



DESCRIPTION Crown Suspension's imposing luminous sculptured form shapes the light, creating evocative reflections in the surrounding space. The splendour of its amber or smoke grey Murano crystal glass trihedrons is enhanced by its burnished brass or matte black nickel metal structure. Crown is also available in ceiling and wall versions.

PRODUCTS DETAILS	FUNCTION	SUSPENSION
	LOCATION	INTERIOR
	LIGHT EMISSION	DIFFUSED LIGHT
	LIGHT SOURCE	CROWN SUSPENSION CIRCULAR 36 x 2,7W COB LED 360lm 2700°K 320mA
		CROWN SUSPENSION ELLIPTICAL 24 x 2,7W COB LED 360lm 2700°K 320mA
	RATED VOLTAGE	110 - 120V / 220 - 240V
	FREQUENCY	50 - 60Hz
	SUPPLY	TERMINAL BLOCK
	WIRING CABLE LENGTH	250 cm (98"4)
	STEEL CABLE LENGTH	250 cm (98"4)

DALI or TRIAC dimming kit available upon request

CERTIFICATION



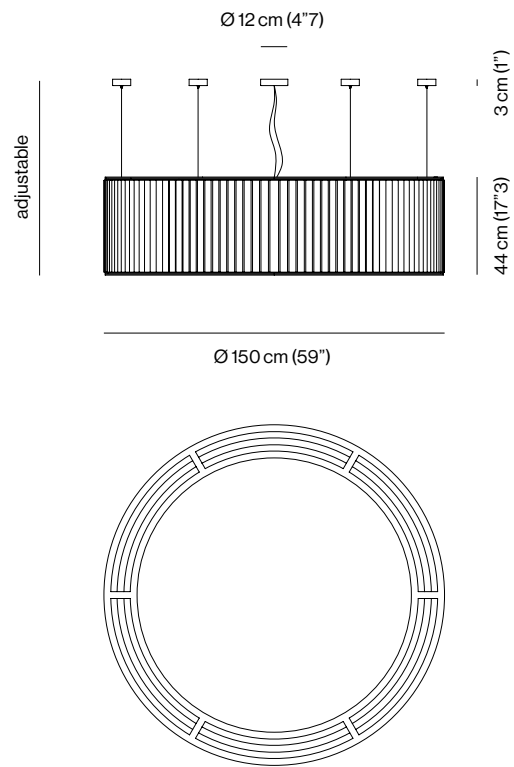
MATERIALS

STRUCTURE	
M07	MATTE BLACK NICKEL
M11	LIGHT BURNISHED BRASS
GLASS	
C	CRYSTAL
G	SMOKE GREY
R	AMBER

PACKAGE	QTY	DIMENSIONS	NET WEIGHT	GROSS WEIGHT	TOTAL VOL.
CROWN SUSPENSION CIRCULAR					
	1 x CRATE	161 x 161 x H 65 cm (63"4 x 63"4 x H 25"6)	90 kg	195 kg	1,92 m ³
	4 x BOXES	41 x 31 x H 49 cm (16"1 x 12"2 x H 19"2)	16 kg	19 kg	
CROWN SUSPENSION ELLIPTICAL					
	1 x CRATE	153 x 79 x H 65 cm (60"2 x 31"1 x H 25"6)	90 kg	143 kg	0,97 m ³
	3 x BOXES	41 x 31 x H 49 cm (16"1 x 12"2 x H 19"2)	16 kg	19 kg	

DIMENSIONS

CROWN SUSPENSION CIRCULAR



CROWN SUSPENSION ELLIPTICAL

