



DESCRIPTION The Kitami Suspension lamp is based on purely geometric elements. Solid intersecting bars define its structure, which is available in four finishes: polished or matte black nickel, light burnished brass or polished gold. At the ends of the rods, discreet satin glass light sources reveal light in its most essential form. Also available in a wall version.

PRODUCTS DETAILS	FUNCTION	SUSPENSION
	LOCATION	INTERIOR
	LIGHT EMISSION	DIFFUSED LIGHT
	LIGHT SOURCE	KITAMI LARGE SUSPENSION 8 × MAX 1,5W G4 LED 200lm - 2700°K (BULBS EXCLUDED)
		KITAMI MEDIUM SUSPENSION 6 × MAX 1,5W G4 LED 200lm 2700°K (BULBS EXCLUDED)
	RATED VOLTAGE	110 - 120V / 220 - 240V
	FREQUENCY	50 - 60Hz
	SUPPLY	TERMINAL BLOCK
	BALLAST	BALLAST INCLUDED

CERTIFICATION



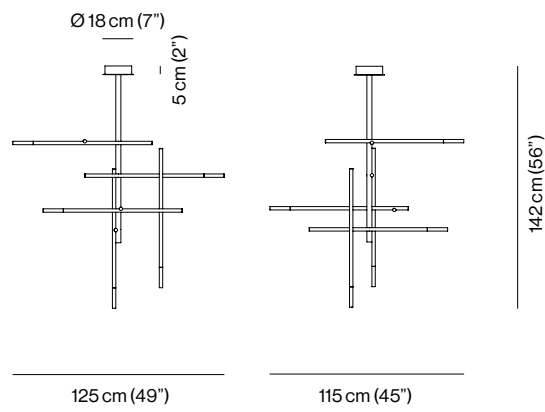
MATERIALS

STRUCTURE	
M04	POLISHED BLACK NICKEL
M05	POLISHED GOLD
M07	MATTE BLACK NICKEL
M11	LIGHT BURNISHED BRASS
GLASS	
S	WHITE SATIN

PACKAGE	QTY	DIMENSIONS	NET WEIGHT	GROSS WEIGHT	TOTAL VOL.
KITAMI LARGE SUSPENSION					
	1 × BOX	32 × 32 × H 127 cm (12"6 × 12"6 × 50")	4 kg	5 kg	0,45 m³
	1 × BOX	85 × 85 × H 44 cm (33"5 × 33"5 × 17"3)	9 kg	10 kg	
KITAMI MEDIUM SUSPENSION					
	1 × BOX	32 × 32 × H 127 cm (12"6 × 12"6 × 50")	2,5 kg	4 kg	0,32 m³
	1 × BOX	73 × 73 × H 35 cm (28"7 × 28"7 × 13"8)	3 kg	4 kg	

DIMENSIONS

KITAMI LARGE SUSPENSION



KITAMI MEDIUM SUSPENSION

