

VENICEM

CROWN CIRCULAR 150 design Massimo Tonetto

Suspended lamp with diffused light. Matte black nickel structure and crystal, amber or smoke grey Murano blown glass trihedrons.



VENICEM

CROWN CIRCULAR 150

Function	Suspension
Location	Interior
Light Emission	Diffused light
Light Source	36x2,7W cob LED 360lm 2700°K 320mA
Rated Voltage	110 - 120 V / 220 - 240 V
Frequency	50 - 60 Hz
Supply	Terminal block
Wiring cable length	250cm-98"±4
Steel cable length	250cm-98"±4

DALI or TRIAC dimming kit available upon request

Certifications

UL/WIRED/CE   IP20

Structure

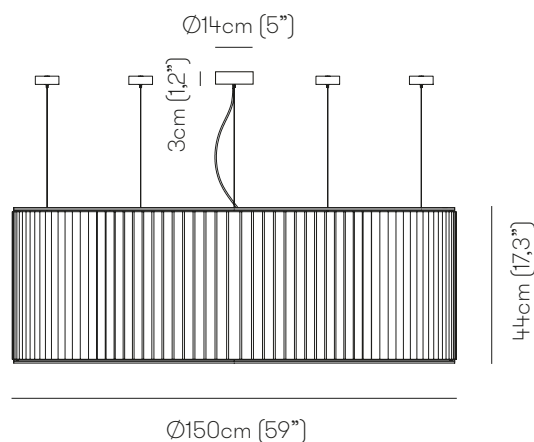
M07 Matte black nickel

Diffuser

C Crystal
R Amber
G Smoke grey

Package	Dimensions	Net Weight	Gross Weight	Total vol.
Structure	161x161xH.65cm (63,4"x63,4"xH.25,6")	90kg	195kg	1,92 m ³
Glass	41x31xH.49cm (16"1x12,2"4xH.19,2)	16kg	19kg	

Dimensions



VENICEM

CROWN ELLIPTICAL design Massimo Tonetto

Suspended lamp with diffused light. Matte black nickel or light burnished brass structure and crystal, amber or smoke grey Murano blown glass trihedrons.



VENICEM

CROWN ELLIPTICAL

Function	Suspension
Location	Interior
Light Emission	Diffused light
Light Source	24x2,7W cob LED 360lm 2700°K 320mA
Rated Voltage	110 - 120 V / 220 - 240 V
Frequency	50 - 60 Hz
Supply	Terminal block
Wiring cable length	250cm-98"4
Steel cable length	250cm-98"4

DALI or TRIAC dimming kit available upon request

Certifications



Structure

M07	Matte black nickel
M11	Light burnished brass

Diffuser

C	Crystal
R	Amber
G	Smoke grey

Package	Dimensions	Net Weight	Gross Weight	Total vol.
Structure	153x79xH.65cm (60,2"x31,1"xH.25,6")	90kg	143kg	0,97m ³
Glass	41x31xH.49cm (16,1"x12,2"xH.19,2")	16kg	19kg	

Dimensions

