

# VENICEM

## KITAMI LARGE SUSPENSION design Massimo Tonetto

Suspended lamp with diffused light. Polished or matte black nickel, polished gold or light burnished brass structure and satin glass diffusers.



# VENICEM

## KITAMI LARGE SUSPENSION

Function	Suspension
Location	Interior
Light Emission	Diffused light
Light Source	8×MAX 1,5W G4 LED 200lm - 2700°K (bulbs excluded)
Rated Voltage	110 - 120 V / 220 - 240 V
Frequency	50 - 60 Hz
Supply	Terminal block
Ballast	Ballast included

### Certifications

UL/C<sub>WRED</sub> CE   IP20

### Structure

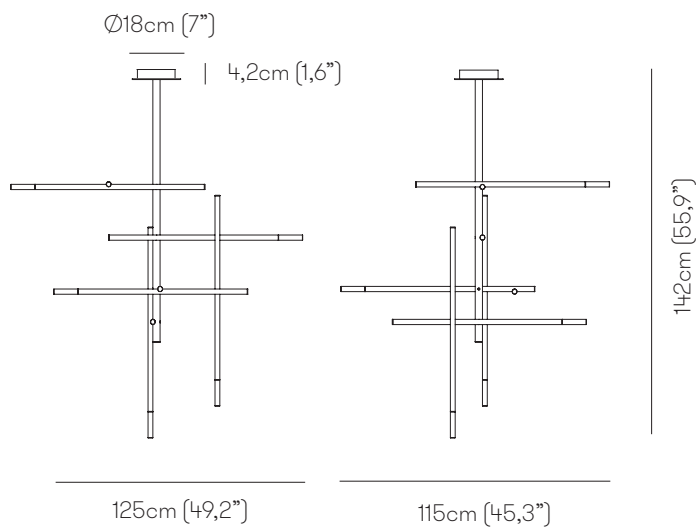
**M04** Polished black nickel  
**M05** Polished gold  
**M07** Matte black nickel  
**M11** Light burnished brass

### Diffuser

**S** Satin

Package	Dimensions	Net Weight	Gross Weight	Total vol.
Structure	32×32×H.127cm (12,6"×12,6"×50")	4kg	5kg	0,45 m <sup>3</sup>
Arms	85×85×H.44cm (33,5"×33,5"×17,3")	9kg	10kg	

### Dimensions



# VENICEM

## KITAMI MEDIUM SUSPENSION design Massimo Tonetto

Suspended lamp with diffused light. Polished black nickel, polished gold, matte black nickel or light burnished brass structure and satin glass diffusers.



# VENICEM

## KITAMI MEDIUM SUSPENSION

Function	Suspension
Location	Interior
Light Emission	Diffused light
Light Source	6×MAX 1,5W G4 LED 200lm 2700°K (bulbs excluded)
Rated Voltage	110 - 120 V / 220 - 240 V
Frequency	50 - 60 Hz
Supply	Terminal block
Ballast	Ballast included

### Certifications

UL/C<sub>W</sub>CE   IP20

### Structure

**M04** Polished black nickel  
**M05** Polished gold  
**M07** Matte black nickel  
**M11** Light burnished brass

### Diffuser

**S** Satin

Package	Dimensions	Net Weight	Gross Weight	Total vol.
Structure	32×32×H.90cm (12,6"×12,6"×35,4")	2,5kg	4kg	0,28 m <sup>3</sup>
Arms	73×73×H.35cm (28,7"×28,7"×13,8")	3kg	4kg	

### Dimensions

