

# VENICEM

## GRACE SUSPENSION design Massimo Tonetto

Suspended lamp with diffused light. Black metal structure with steel cables, composed of crystal triangular trihedrons. Strip LED inside the central cylindrical body.



# VENICEM

## GRACE SUSPENSION

Function Suspension

Location Interior

Light Emission Diffused light

Light Source **GRACE COMPOSITION:** 1x12W LED 1590lm 2700°K + 2x17W LED 2225lm 2700°K  
**GRACE 40:** 1x12W LED 1590lm 2700°K  
**GRACE 50:** 1x17W LED 2225lm 2700°K

Energy Efficiency A++

Rated Voltage 110 - 120 V / 220 - 240 V

Frequency 50 - 60 Hz

Supply Terminal block

Ballast Dimmable ballast included

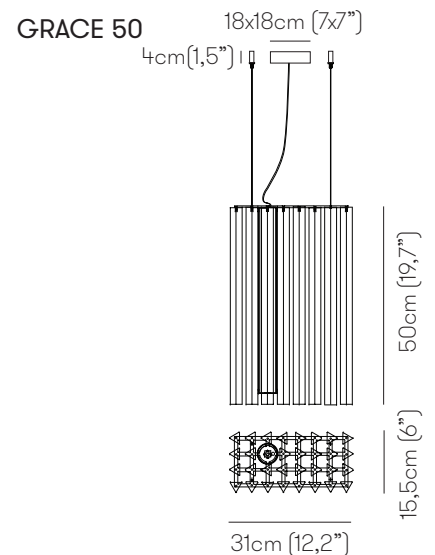
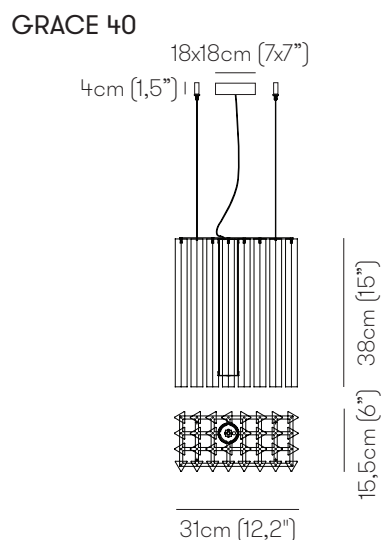
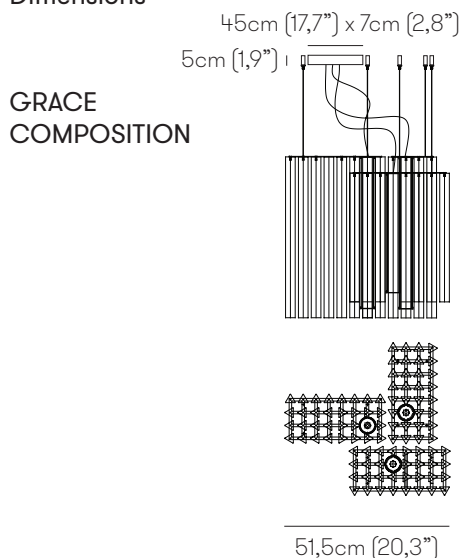
Wiring cable length 250cm -98"4

Steel cable length 250cm -98"4

DALI or TRIAC dimming kit available upon request

Package	Dimensions	Net Weight	Gross Weight	Total vol.
GRACE COMPOSITION				
3xStructure	60x35xH.29cm	2kg	2,5kg	0,40m3
2xGlass	30x40xH.63cm	14kg	16,5kg	
1xGlass	30x40xH.52cm	11kg	12,5kg	
GRACE 40				
Structure	60x35xH.29cm	2kg	2,5kg	0,12m3
Glass	30x40xH.52cm	11kg	12,5kg	
GRACE 50				
Structure	60x35xH.29cm	2,5kg	2,5kg	0,14m3
Glass	30x40xH.63cm	14kg	16,5kg	

### Dimensions



### Certifications



### Structure

MB Matte black

### Diffuser

C Crystal