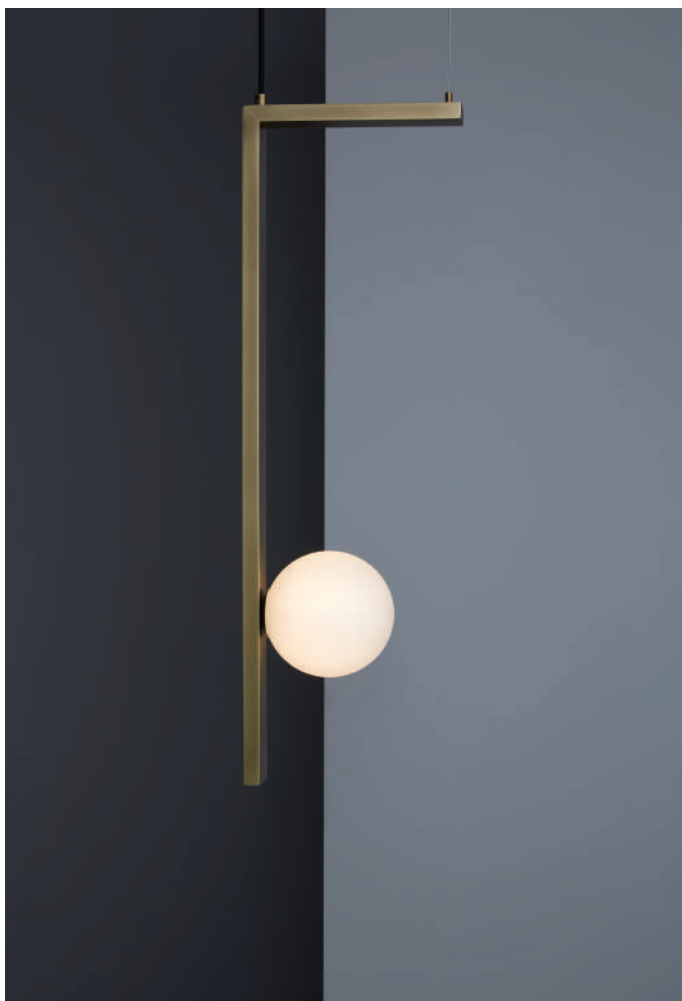


# VENICEM

## LESS 1 SUSPENSION design Massimo Tonetto

Suspended lamp with diffused light. Burnished natural brass, polished black nickel or matte black nickel structure composed of brass profiles, satin blown glass spheres and satin glass diffusers. Self-supporting black fabric cords and steel cables with rapid fixing system.



# VENICEM

## LESS 1 SUSPENSION

Function	Suspension
Location	Interior
Light Emission	Diffused light
Light Source	1×5W G9 LED 350lm 2700°K
Rated Voltage	110 - 120 V / 220 - 240 V
Frequency	50 - 60 Hz
Supply	Terminal block
Ballast	Ballast excluded
Wiring cable length	150cm -59"
Steel cable length	150cm -59"
DALI or TRIAC dimming kit available upon request	

### Certifications

UL/C<sub>WIRE</sub> CE   IP20

### Structure

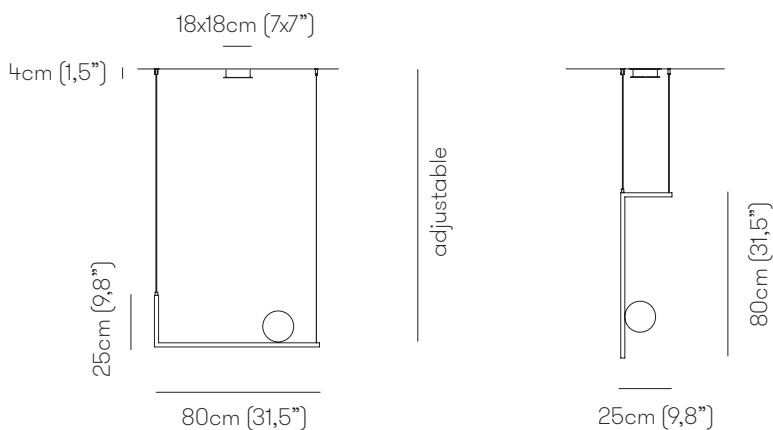
**M03** Burnished natural brass  
**M04** Polished black nickel  
**M07** Matte black nickel

### Diffuser

**S** Satin

Package	Dimensions	Net Weight	Gross Weight	Total vol.
1 pc	97x74xH.30cm (38,2"x29,1"xH.11,8")	6kg	8kg	0,22m <sup>3</sup>

### Dimensions



# VENICEM

## LESS 1 SUSPENSION design Massimo Tonetto

Suspended lamp with diffused light. Burnished natural brass, polished black nickel or matte black nickel structure composed of brass profiles, satin blown glass spheres and satin glass diffusers. Self-supporting black fabric cords and steel cables with rapid fixing system.



# VENICEM

## LESS 1 SUSPENSION

Function	Suspension
Location	Interior
Light Emission	Diffused light
Light Source	1x12W strip LED 24V 1250lm 2700°K
Energy Efficiency	A+
Rated Voltage	110 - 120 V / 220 - 240 V
Frequency	50 - 60 Hz
Supply	Terminal block
Ballast	Ballast included
Wiring cable length	150cm -59"
Steel cable length	150cm -59"

### Certifications

UL/CÉ   IP20

### Structure

**M03** Burnished natural brass  
**M04** Polished black nickel  
**M07** Matte black nickel

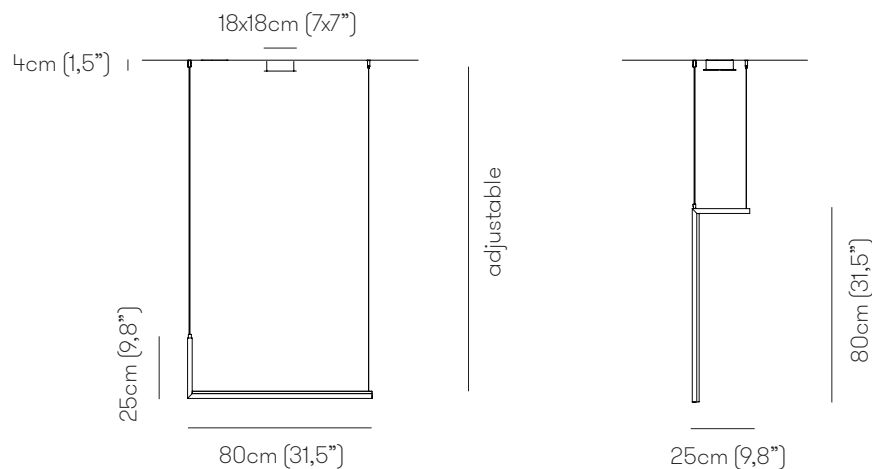
### Diffuser

**S** Satin

DALI or TRIAC dimming kit available upon request

Package	Dimensions	Net Weight	Gross Weight	Total vol.
1 pc	97x74xH.30cm (38,2"x29,1"xH.11,8")	6kg	8kg	0,22m <sup>3</sup>

### Dimensions



# VENICEM

## LESS 2 SUSPENSION design Massimo Tonetto

Suspended lamp with diffused light. Burnished natural brass, polished black nickel or matte black nickel structure composed of brass profiles, satin blown glass spheres and satin glass diffusers. Self-supporting black fabric cords and steel cables with rapid fixing system.



# VENICEM

## LESS 2 SUSPENSION

Function	Suspension
Location	Interior
Light Emission	Diffused light
Light Source	2x5W G9 LED 350lm 2700°K
Rated Voltage	110 - 120 V / 220 - 240 V
Frequency	50 - 60 Hz
Supply	Terminal block
Ballast	Ballast included
Wiring cable length	150cm -59"
Steel cable length	150cm -59"

### Certifications

UL/C E   IP20

### Structure

M03 Burnished natural brass  
M04 Polished black nickel  
M07 Matte black nickel

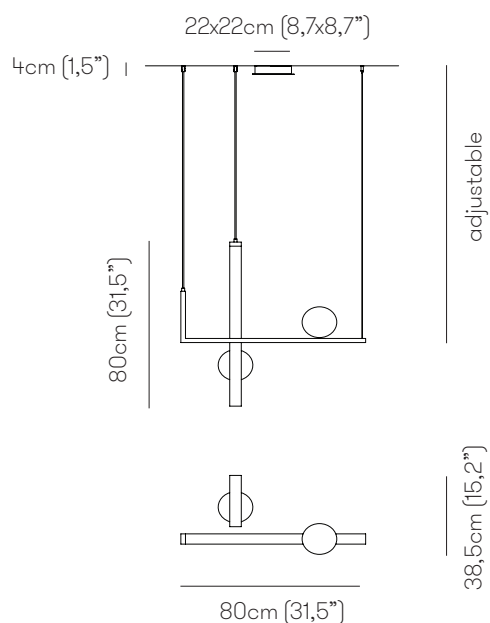
### Diffuser

S Satin

DALI or TRIAC dimming kit available upon request

Package	Dimensions	Net Weight	Gross Weight	Total vol.
1 pc	97x74xH.30cm (38,2"x29,1"xH.11,8")	10kg	12kg	0,22m <sup>3</sup>

### Dimensions



# VENICEM

## LESS 2 SUSPENSION design Massimo Tonetto

Suspended lamp with diffused light. Burnished natural brass, polished black nickel or matte black nickel structure composed of brass profiles, satin blown glass spheres and satin glass diffusers. Self-supporting black fabric cords and steel cables with rapid fixing system.



# VENICEM

## LESS 2 SUSPENSION

Function	Suspension
Location	Interior
Light Emission	Diffused light
Light Source	2×12W strip LED 24V 1250lm 2700°K
Energy Efficiency	A+
Rated Voltage	110 - 120 V / 220 - 240 V
Frequency	50 - 60 Hz
Supply	Terminal block
Ballast	Ballast included
Wiring cable length	150cm -59"
Steel cable length	150cm -59"

### Certifications

UL/C<sub>WRED</sub> CE   IP20

### Structure

**M03** Burnished natural brass  
**M04** Polished black nickel  
**M07** Matte black nickel

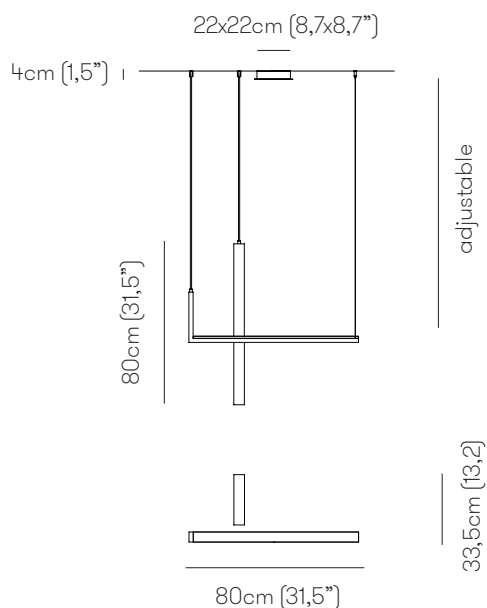
### Diffuser

**S** Satin

DALI or TRIAC dimming kit available upon request

Package	Dimensions	Net Weight	Gross Weight	Total vol.
1 pc	97x74xH.30cm (38,2"x29,1"xH.1,8")	10kg	12kg	0,22m <sup>3</sup>

### Dimensions





# VENICEM

## LESS 2 SUSPENSION design Massimo Tonetto

Suspended lamp with diffused light. Burnished natural brass, polished black nickel or matte black nickel structure composed of brass profiles, satin blown glass spheres and satin glass diffusers. Self-supporting black fabric cords and steel cables with rapid fixing system.



# VENICEM

## LESS 2 SUSPENSION

Function	Suspension
Location	Interior
Light Emission	Diffused light
Light Source	1x12W strip LED 24V 1250lm 2700°K +1x5W G9 LED 350lm 2700°K
Energy Efficiency	A+
Rated Voltage	110 - 120 V / 220 - 240 V
Frequency	50 - 60 Hz
Supply	Terminal block
Ballast	Ballast included
Wiring cable length	150cm -59"
Steel cable length	150cm -59"

### Certifications

UL/C<sub>WRED</sub> CE   IP20

### Structure

**M03** Burnished natural brass  
**M04** Polished black nickel  
**M07** Matte black nickel

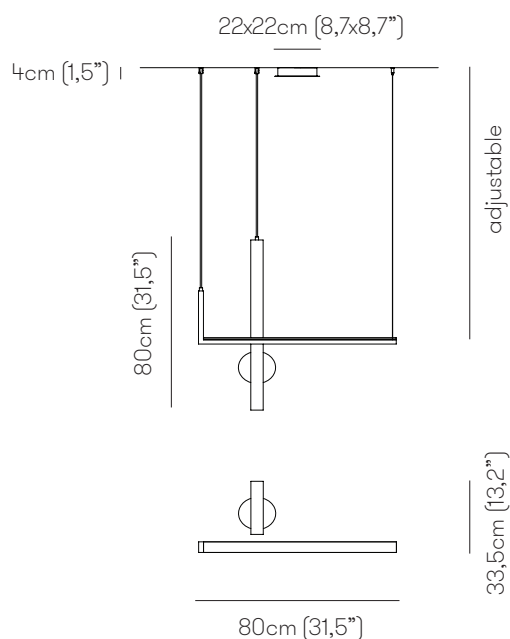
### Diffuser

**S** Satin

DALI or TRIAC dimming kit available upon request

Package	Dimensions	Net Weight	Gross Weight	Total vol.
1 pc	97x74xH.30cm (38,2"x29,1"xH.11,8")	10kg	12kg	0,22m <sup>3</sup>

### Dimensions



# VENICEM

## LESS 3 SUSPENSION design Massimo Tonetto

Suspended lamp with diffused light. Burnished natural brass, polished black nickel or matte black nickel structure composed of brass profiles, satin blown glass spheres and satin glass diffusers. Self-supporting black fabric cords and steel cables with rapid fixing system.



# VENICEM

## LESS 3 SUSPENSION

Function	Suspension
Location	Interior
Light Emission	Diffused light
Light Source	1x12W strip LED 24V 1250lm 2700°K +2x5W G9 LED 350lm 2700°K
Energy Efficiency	A+
Rated Voltage	110 - 120 V / 220 - 240 V
Frequency	50 - 60 Hz
Supply	Terminal block
Ballast	Ballast included
Wiring cable length	150cm -59"
Steel cable length	150cm -59"

### Certifications

UL/C<sub>WRED</sub> CE   IP20

### Structure

**M03** Burnished natural brass  
**M04** Polished black nickel  
**M07** Matte black nickel

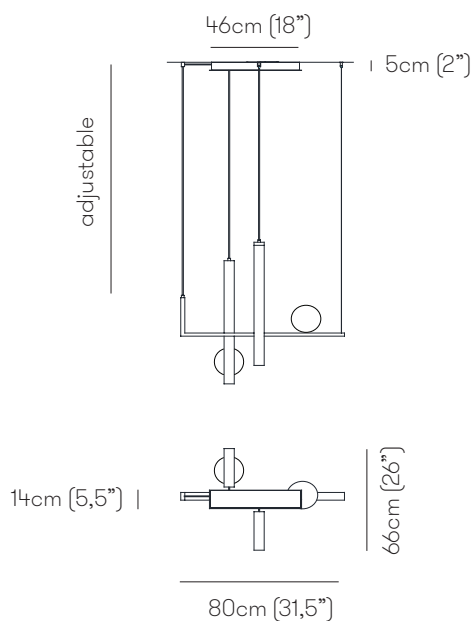
### Diffuser

**S** Satin

DALI or TRIAC dimming kit available upon request

Package	Dimensions	Net Weight	Gross Weight	Total vol.
1 pc	98x86xH.40cm (38,6"x33,6"xH.15,7")	20kg	22kg	0,34m <sup>3</sup>

### Dimensions



# VENICEM

## LESS 5 SUSPENSION design Massimo Tonetto

Suspended lamp with diffused light. Burnished natural brass, polished black nickel or matte black nickel structure composed of brass profiles, satin blown glass spheres and satin glass diffusers. Self-supporting black fabric cords and steel cables with rapid fixing system.



# VENICEM

## LESS 5 SUSPENSION

Function	Suspension
Location	Interior
Light Emission	Diffused light
Light Source	3x12W strip LED 24V 1250lm 2700°K +2x5W G9 LED 350lm 2700°K
Energy Efficiency	A+
Rated Voltage	110 - 120 V / 220 - 240 V
Frequency	50 - 60 Hz
Supply	Terminal block
Ballast	Ballast included
Wiring cable length	150cm -59"
Steel cable length	150cm -59"

### Certifications

UL/CÉ   IP20

### Structure

M03 Burnished natural brass  
M04 Polished black nickel  
M07 Matte black nickel

### Diffuser

S Satin

DALI or TRIAC dimming kit available upon request

Package	Dimensions	Net Weight	Gross Weight	Total vol.
1 pc	98x86xH.40cm (38,6"x33,6"xH.15,7")	23kg	25kg	0,34m <sup>3</sup>

### Dimensions

