

# VENICEM

## TROU SUSPENSION design Massimo Tonetto

Suspended lamp with diffused light. Light burnished brass or matte black structure. Transparent dove grey or polished white blown glass diffuser.



# VENICEM

## TROU SUSPENSION

Function	Suspension
Location	Interior
Light Emission	Diffused light
Light Source	1x12W COB LED 24V 2025lm 2700°K
Energy Efficiency	A++
Rated Voltage	110 - 120V / 220 - 240 V
Frequency	50 - 60 Hz
Supply	Terminal block
Ballast	Ballast included

### Certifications

UL/C<sub>WRED</sub> CE   IP20

### Structure

M11 Light burnished brass

MB Matte black

### Diffuser

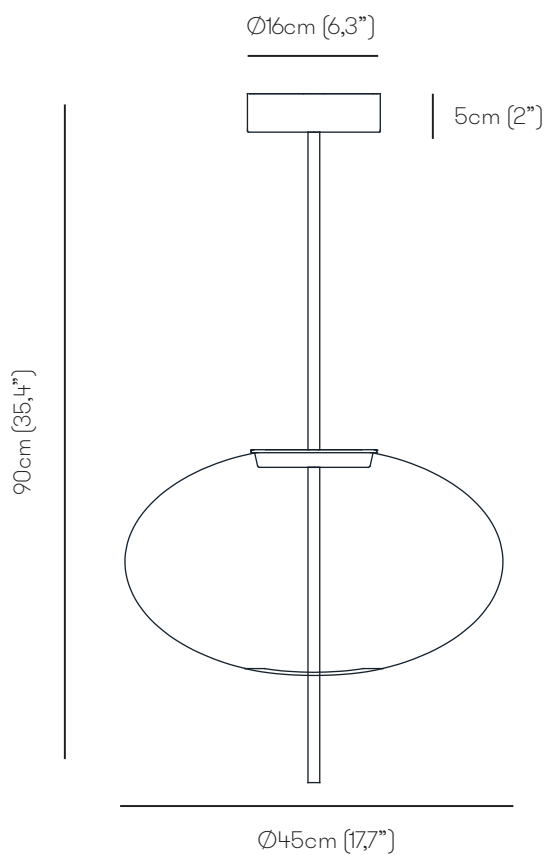
W White glass

DG Dove grey

DALI or TRIAC dimming kit available upon request

Custom height upon request

Standard dimensions



### Minimum dimensions

