

DESCRIPTION Crown Suspension's imposing luminous sculptured form shapes the light, creating evocative reflections in the surrounding space. The luster of its amber or smoke grey Murano crystal glass trihedrons is enhanced by its burnished brass or matte black nickel metal structure. Crown is also available in ceiling and wall versions.

PRODUCTS DETAILS

| | |
|----------------------------|--|
| FUNCTION | SUSPENSION |
| LOCATION | INTERIOR |
| LIGHT EMISSION | DIFFUSED LIGHT |
| LIGHT SOURCE | CROWN SUSPENSION CIRCULAR 30 x 2,7W COB LED 360lm 2700°K 320mA CROWN SUSPENSION ELLIPTICAL 24 x 2,7W COB LED 360lm 2700°K 320mA |
| RATED VOLTAGE | 110 - 120V / 220 - 240V |
| FREQUENCY | 50 - 60Hz |
| SUPPLY | TERMINAL BLOCK |
| WIRING CABLE LENGTH | 250 cm (98"4) |
| STEEL CABLE LENGTH | 250 cm (98"4) |

DALI or TRIAC dimming kit available upon request

CERTIFICATION



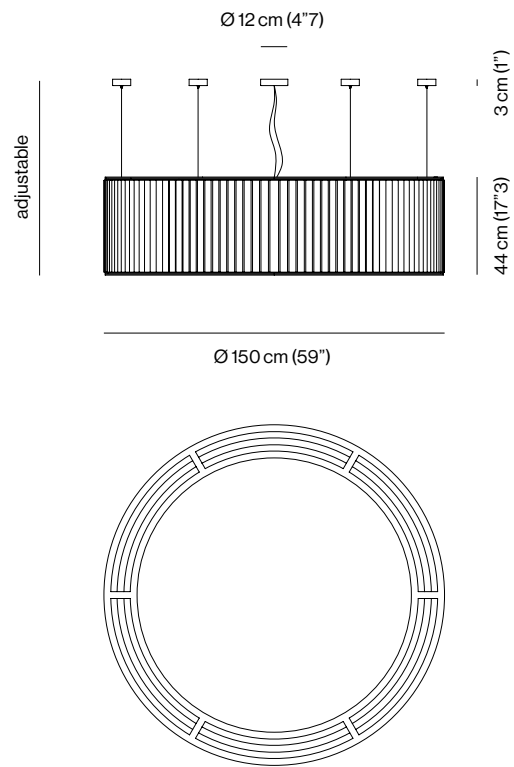
MATERIALS

| | |
|------------------|-----------------------|
| STRUCTURE | |
| M07 | MATTE BLACK NICKEL |
| M11 | LIGHT BURNISHED BRASS |
| GLASS | |
| C-T | CRYSTAL TRIHEDRON |
| G-T | SMOKE GREY TRIHEDRON |
| R-T | AMBER TRIHEDRON |

| PACKAGE | QTY | DIMENSIONS | NET WEIGHT | GROSS WEIGHT | TOTAL VOL. |
|------------------------------------|-----------|--|------------|--------------|---------------------|
| CROWN SUSPENSION CIRCULAR | | | | | |
| | 1 x CRATE | 161 x 161 x H 65 cm (63"4 x 63"4 x H 25"6) | 90 kg | 195 kg | 1,92 m ³ |
| | 4 x BOXES | 41 x 31 x H 49 cm (16"1 x 12"2 x H 19"2) | 16 kg | 19 kg | |
| CROWN SUSPENSION ELLIPTICAL | | | | | |
| | 1 x CRATE | 153 x 79 x H 65 cm (60"2 x 31"1 x H 25"6) | 90 kg | 143 kg | 0,97 m ³ |
| | 3 x BOXES | 41 x 31 x H 49 cm (16"1 x 12"2 x H 19"2) | 16 kg | 19 kg | |

DIMENSIONS

CROWN SUSPENSION CIRCULAR



CROWN SUSPENSION ELLIPTICAL

